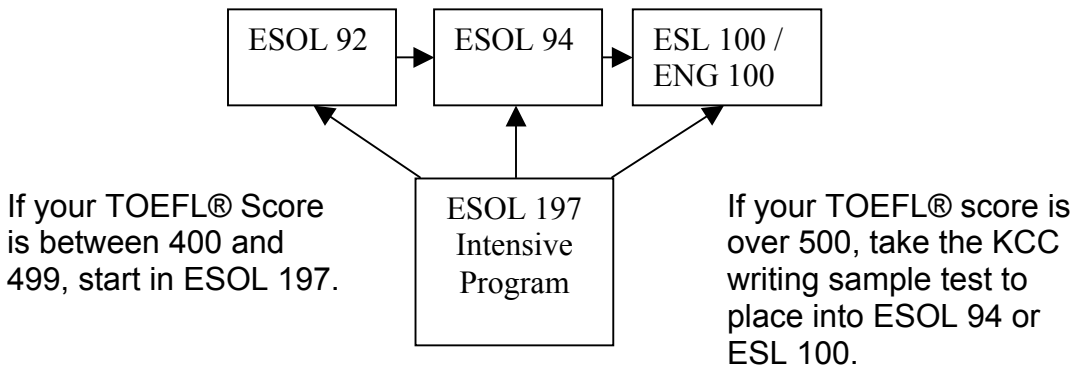


Sequence of Courses for International (F-1 Visa) Students



All international students who are non-native English speakers need to take the TOEFL® or equivalent admissions test. Call +1-808-734-9312 for details.

Students in the Intensive Transition Program (ITP) in ESOL are introduced to an international student advisor, who assists them in mapping out a course of study at KCC. Students are immersed in the campus culture at KCC and encouraged to observe credit classes prior to registering for them.

Do you have a question about the Intensive Transition Program in ESOL? Before you contact us, please take a look at some of the most common questions ([link to FAQs](#)). We would love to hear from you! Please send an email to esol@hawaii.edu or call us at 808-734-9312.

Go to course descriptions ([link](#))